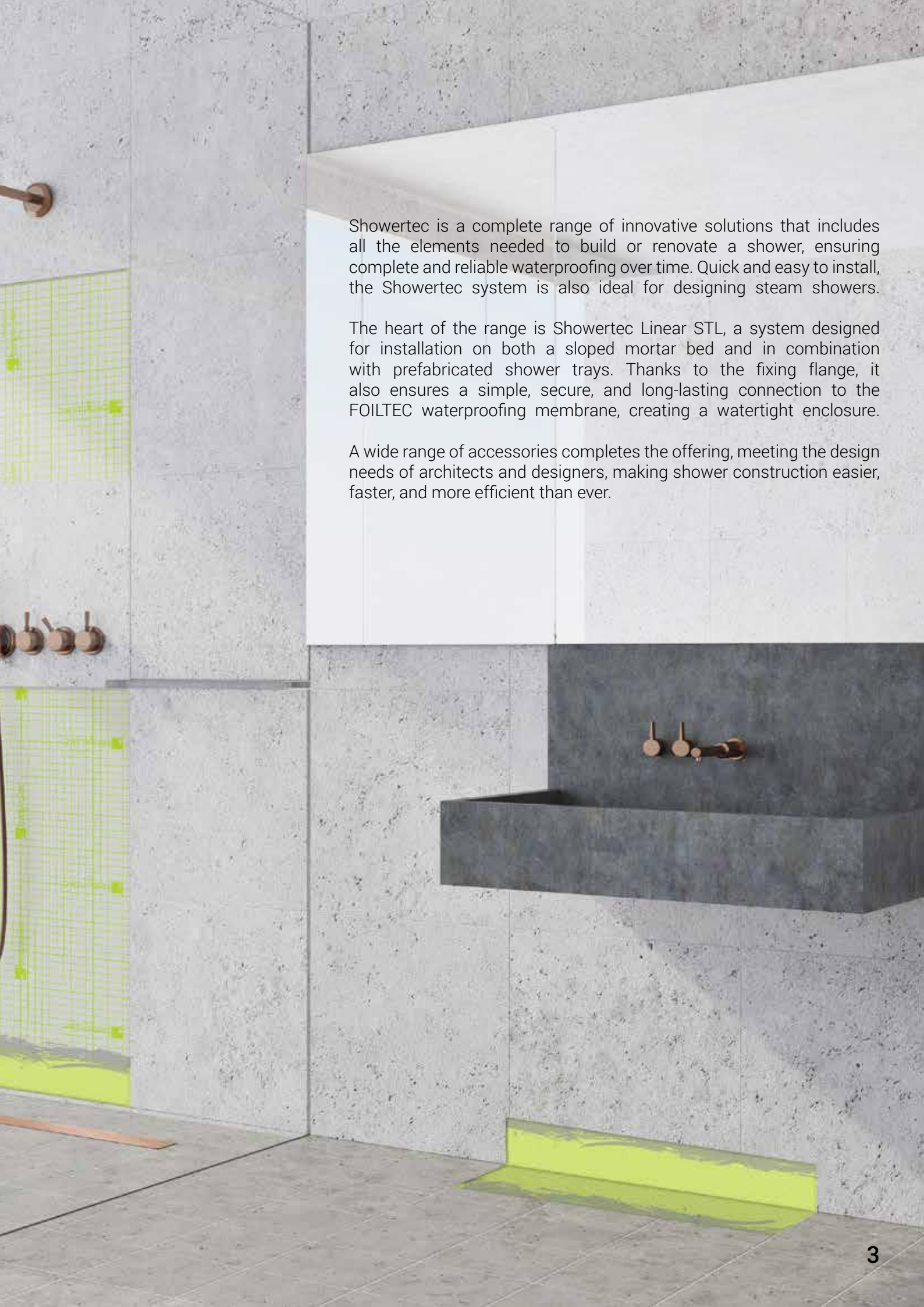


shower+tec®



shower+tec®





Showertec is a complete range of innovative solutions that includes all the elements needed to build or renovate a shower, ensuring complete and reliable waterproofing over time. Quick and easy to install, the Showertec system is also ideal for designing steam showers.

The heart of the range is Showertec Linear STL, a system designed for installation on both a sloped mortar bed and in combination with prefabricated shower trays. Thanks to the fixing flange, it also ensures a simple, secure, and long-lasting connection to the FOILTEC waterproofing membrane, creating a watertight enclosure.

A wide range of accessories completes the offering, meeting the design needs of architects and designers, making shower construction easier, faster, and more efficient than ever.

01

Showertec benefits

5

02

Showertec Linear STL

Overview	6
Drain	8
Cover	10
Tray	14

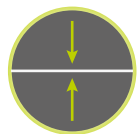
03

Showertec accessories

FOILTEC	18
STN Niches	20
STK Profiles	22
Sanitec SB Profiles	25
FIXXTEC	26



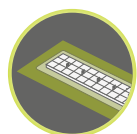
VANTAGGI DI SHOWERTEC



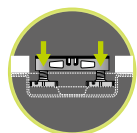
0,5 mm pre-applied waterproof membrane



Height-adjustable grate/cover to match different tile thicknesses



Rigid plastic construction cap for safe and properly aligned installation



Lowest installation height on the market



Acoustic insulation



Wide range of finishes and sizes available



Recycled and recyclable materials



Channel is single pressed AISI 316 stainless steel, i.e. no welding



270 aesthetic combinations available



Showertec Linear STL

- 1 Channel body with vertical drain (patented)
- 2 Body leveling system
- 3 Shower glass holder profile
- 4 Conical shower profile
- 5 Waterproof internal corner
- 6 Sealing strip
- 7 Waterproof membrane
- 8 Shower niche
- 9 Pipe collar
- 10 Tray





9

8

7

6

5

4

1

2

10

3

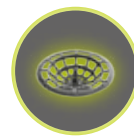
SHOWERTEC LINEAR | DRAIN

Showertec Linear is a range of linear drains, 100% made in Italy, that allow for the installation of flush floor showers without the limit of architectural barriers. The channel body is made of three elements: Body (channel body), Cover (removable and adjustable grates), and Frame (optional).

The channel bodies STL-BS and STL-BL are vertical drain channels in AISI 316 stainless steel. STL-BL is designed for very low installations (from 56 mm), making it perfect for renovations; STL-BS features a 360° rotatable siphon, providing maximum flexibility for alignment with plumbing connections. It is fully compatible with the pre-sloped STL-TRAY, enabling efficient integration into sloped drainage systems. The bodies are supplied with a pre-attached FOILTEC membrane to guarantee perfect waterproofing. The bottom of the channel presents support areas for the cover's pedestals, whose position is conceived to increase the resistance to the cover's loads without reducing the system's drain capacity. A hair trap is positioned inside the drain to prevent inconvenient clogging.



The channels are made in AISI 316 stainless steel, suitable for environments requiring high performance materials



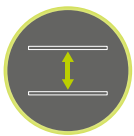
Removable hair trap to prevent clogging caused by hair or debris



The pre-attached FOILTEC membrane guarantees perfect waterproofing of the system



Patented



Low-profile siphon, perfect for renovations, from H = 56 mm

APPLICATION AND FUNCTION

The channel has a flow of 36 l/m in line with industry standard EN1253.

The channel has a pre-attached FOILTEC membrane which is certified DIN18534 and has a perm rate of $< 0,5 \text{ g}/(\text{m}^2 \cdot \text{h} \cdot \text{Pa})$.

The channel guarantees an average internal slope of 2%.

MATERIAL

Stainless steel channel made of AISI 316 stainless steel is a pre-sloped, non-welded channel body and highly resistant to corrosion and chemical agents. This is highest stainless steel available on the market with low carbon content commonly found in the naval field.

Pre-attached waterproof FOILTEC membrane: bonded with a two-component structural adhesive, the FOILTEC membrane is made of high-density polyethylene, a waterproof and vapor-tight material which limits the bacterial transmission of harmful substances and also compensates for small movements. The extreme flexibility of FOILTEC compensates minor adjustments that may occur between the flooring material and the substrate.

WARNINGS AND MAINTENANCE

The lifting key for the cover and the inspection brush allow for proper maintenance.



STL-BL

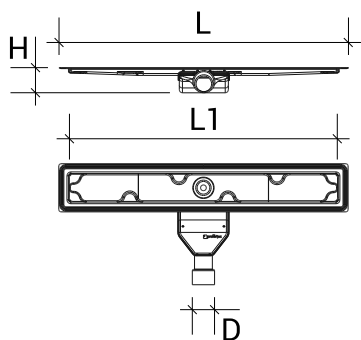
STL-BS

STL-BV



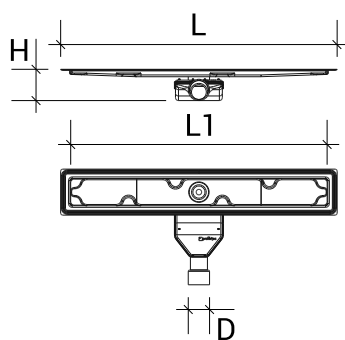
STL-SLB leveling system

STL-SLB is a support that can be adjusted both in height and in the inclination of the channel body. It must be positioned and secured with screws or nails on the screed to prevent the channel from moving or tilting during casting.



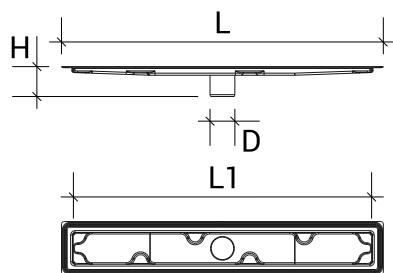
STL-BL siphon included
(D = 50 mm)

Code	H (mm)	L (mm)
STL-BS/BL 600	56	649
STL-BS/B 700	56	749
STLBS/B 800	56	849
STLBS/B 900	56	949
STLBS/B 1000	56	1049
STLBS/B 1200	56	1249



STL-BS siphon included
(D = 50 mm)

Code	H (mm)	L (mm)
STL-BS/BL 600	73	649
STL-BS/B 700	73	749
STLBS/B 800	73	849
STLBS/B 900	73	949
STLBS/B 1000	73	1049
STLBS/B 1200	73	1249



STL-BV (D = 50 mm)

Code	H (mm)	L (mm)
STL-BV600	73	649
STL-BV700	73	749
STL-BV800	73	849
STL-BV900	73	949
STL-BV1000	73	1049
STL-BV1200	73	1249

SHOWERTEC LINEAR | COVER

The true innovation of Showertec Linear is the wide range of aesthetic combinations available, as Cover and Frame are kept as two separate elements.

The cover is available in different versions:

- Invisible: fully tileable (STL-CT);
- Tileable: with internal frame;
- Metal: ALU+ treatment or stainless steel cover



270 aesthetic solutions - wide range of finishes and colors



The aluminum covers are made with ALU+ treatment (high-strength aluminum suitable for use in the shower)



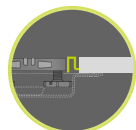
Simple, resistant, effective



The metal covers are made in AISI 316 stainless steel



Aluminum adjustment screws

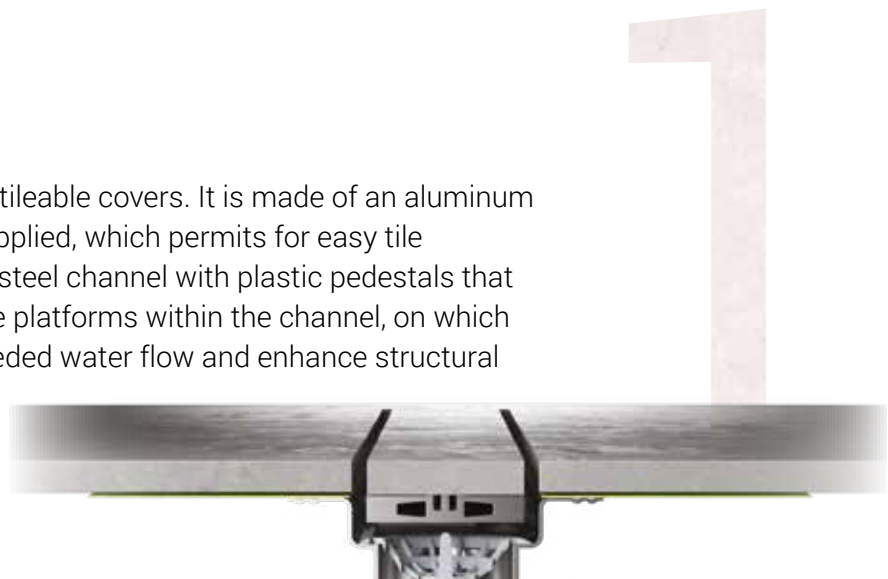
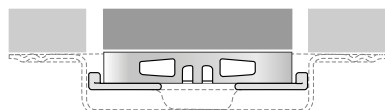


The metal frame protects the tile edge



Invisible tileable Cover

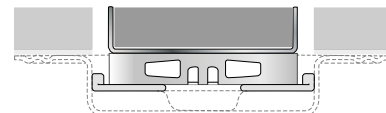
Showertec STL - CT are a family of tileable covers. It is made of an aluminum support on which a membrane is applied, which permits for easy tile adhesion. The system rests on the steel channel with plastic pedestals that cushion acoustic transmission. The platforms within the channel, on which the pedestals rest, allow for unimpeded water flow and enhance structural stability.



2

Tileable Cover with internal frame

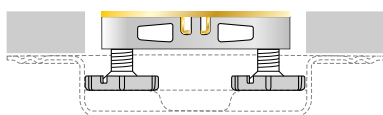
Showertec STL - CTF is a family of tileable covers, where the tile is contained in an AISI 316 stainless steel tray. The tray is fixed on an aluminum support and allows the tile to be accommodated, giving it a "frame effect". The system rests in the steel body channel on plastic pedestals which cushion acoustic transmission. The platforms within the channel, on which the pedestals rest, guarantee unimpeded water flow and enhance structural stability.



Metal Cover (aluminum or stainless steel)

Showertec STL-C is a family of metal covers, made of highly resistant AISI 316 stainless steel or aluminum (ALU+ treatment). Choose from covers with 16 different finishes for a wide variety of aesthetic combinations. The system is equipped with adjustable pedestals for proper leveling of the Cover with the surrounding floor. This allows for the installation of tiles ranging from 6 to 20 mm thickness. The plastic material of the pedestals that rest on the channel body attenuate sound transfer. The platforms within the channel, on which the feet rest, guarantee unimpeded water flow and enhance structural stability.

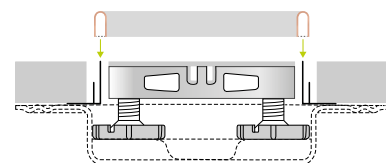
3



4

External Frame (optional)

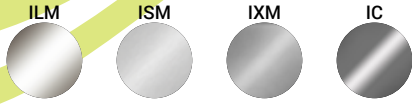
Decorative frame STL-F is a range of metal frames for the Showertec Linear STL system. Frames are available in AISI 316 stainless steel or in aluminum with ALU+ treatment, in the same wide range of colors and finishes as the covers of the Showertec Linear STL system, so as to create single-color tone-on-tone combinations or in two colors with tiles, covers or other bathroom elements. The STL-F decorative frame consists of four elements assembled using dedicated supports, which allow easy adjustment for tile thicknesses up to 20 mm.



SHOWERTEC LINEAR | COVER

Available finishes

Stainless steel



Aluminum



APPLICATION AND FUNCTION

Showertec Linear is a range of functional, easy to install line drain assemblies, with an offering that provides more color options in an elegant solid metal or tileable grate cover. The Cover in conjunction with (optional) Frame provide numerous combinations of finishes, in line with current bathroom hardware and fixture trends.

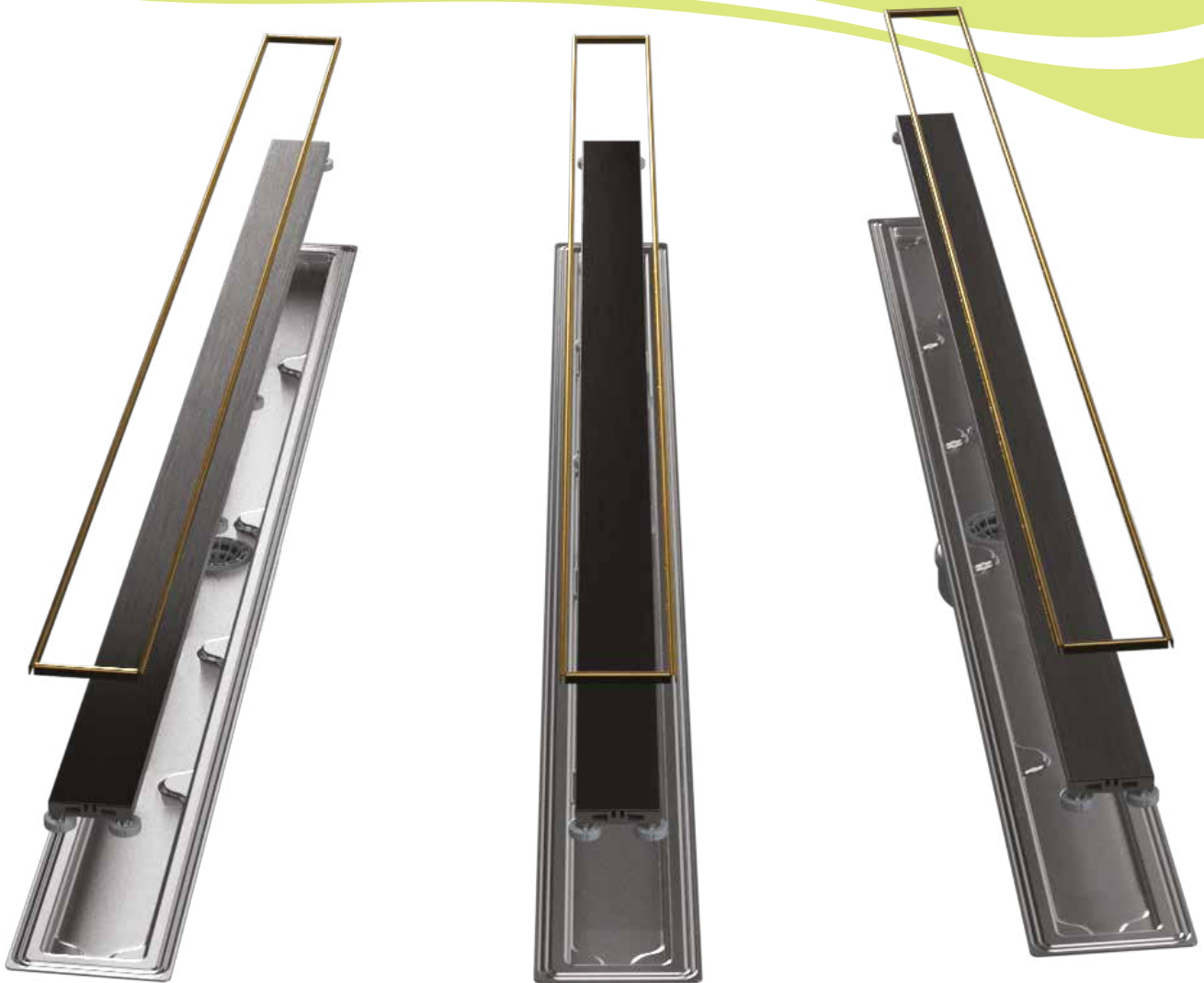
Profilitec offer a wide range of drain covers with a modern and minimalist design to complete the installation of the Showertec Linear drains. The covers are available in numerous designs, materials and finishes in order to satisfy every need.

The wide range will satisfy a variety of needs: from the classic lines in the gray and shiny tones of steel and silver, to the modern look of the matt black finishes. From the polished and brushed gold to the retro tones of copper and brushed titanium colors.

WARNINGS AND MAINTENANCE

Inside the channel body are platforms for the grate cover's height adjustable support pedestals: their position is conceived to increase the resistance to the Cover's load bearing capacity without reducing the system's water flow. A tool is supplied for an easy lifting of the cover.

Class K3: load resistance of the cover >300 kg , according to EN1253 standard suitable for tile thickness from 6 mm to 20 mm.



Aluminum adjustment screws
(3 sets included)



SHOWERTEC LINEAR | TRAY

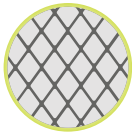
STL-TRAY is a pre-sloped shower tray for all channel bodies in the Showertec Linear STL series. STL-TRAY is available in two widths 910 mm or 1320 mm and can be completed with extensions (see STL-EXT) and ramps (see STL-RAMP).



Trays are waterproof and a fully-fledged shield against any infiltration



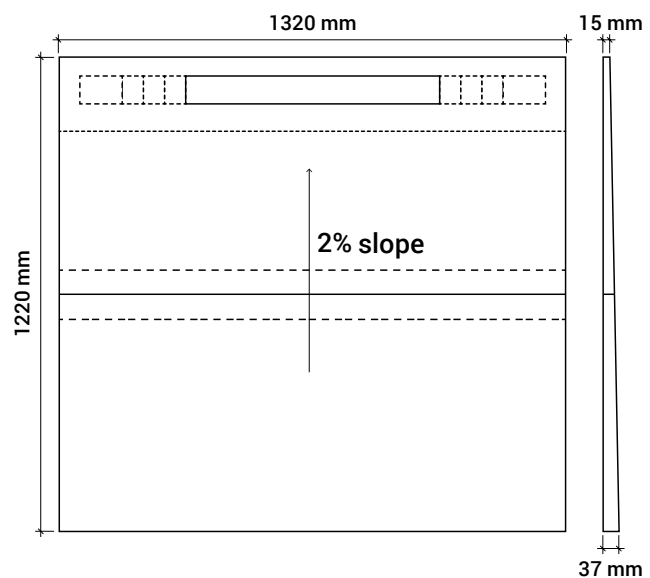
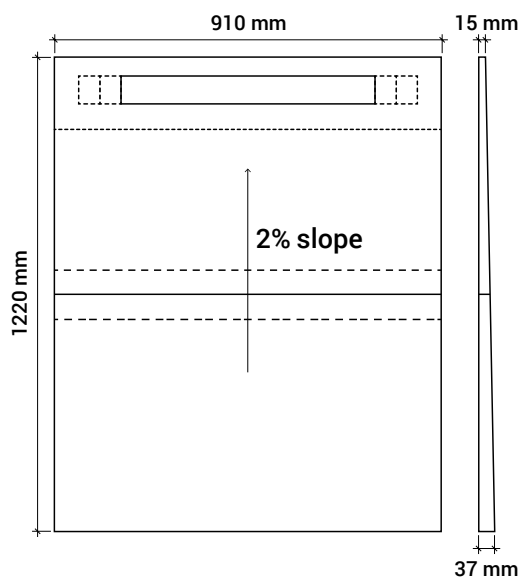
Wide range of accessories for more versatility. Raised panels, extensions and ramps are also available



Fiber-reinforced cementitious layer makes the Trays more resistant, durable and improves the grip of thin-set



Pre-cut indications marked on Trays, ideal to adapt the drain system hole opening to the width of the channel



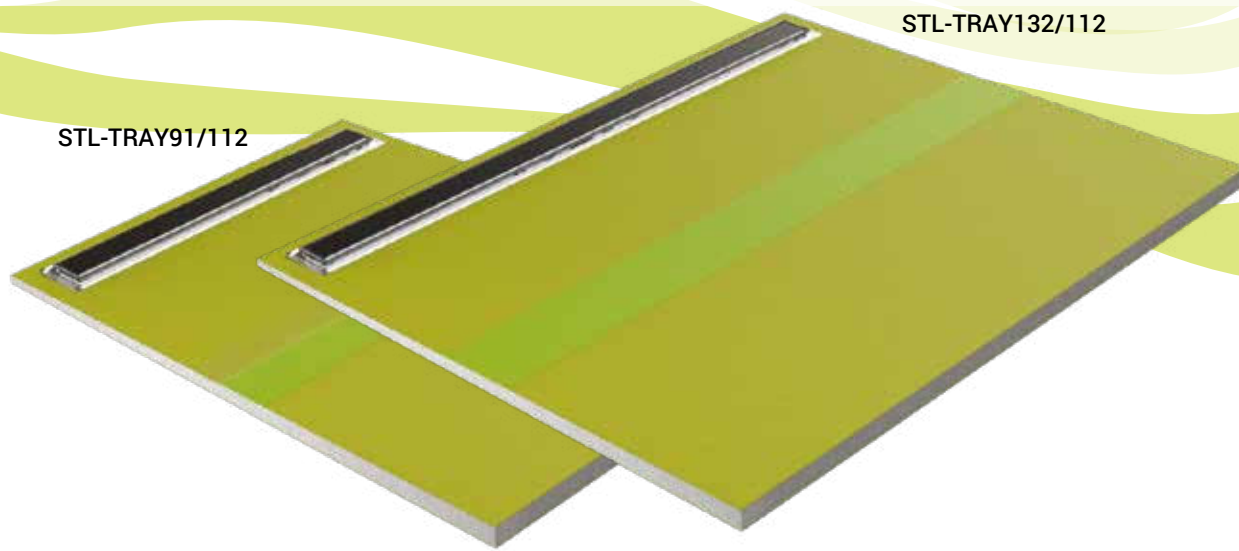
APPLICATION AND FUNCTION

The surface is highly resistant and allows a solid bond between the thin-set and the tile. Trays can be cut to size to meet installation needs.

The shower trays have an opening for the positioning of the 600 mm Showertec Linear channel. Additional markings indicate where to cut the tray for all other channel body sizes in the range sizes.

MATERIAL

Trays are made of waterproof XPS material and thanks to the cementitious grid and the honeycomb surface finish they are very sturdy.

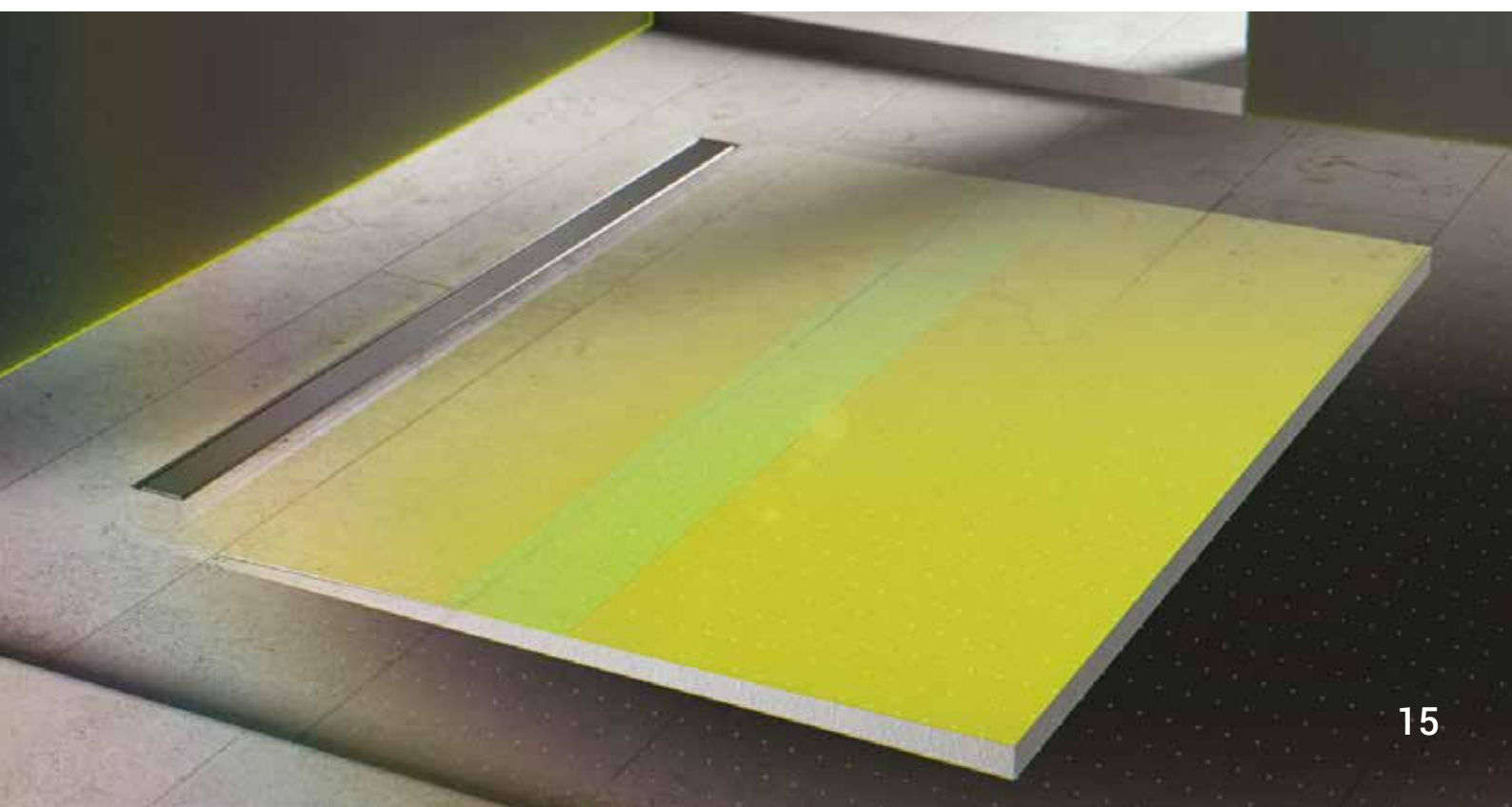


SHOWERTEC STL TRAY - Waterproof pre-sloped tray (with riser panel - optional)

Code	mm	Description
STL-TRAY91/112	910x1220	XPS + fiber reinforced cement pre-sloped tray for STL-BS/BV 600 - 700 - 800
STL-TRAY132/112	1320x1220	XPS + fiber reinforced cement pre-sloped tray for STL-BS/BV
STL-TRAY91/112R	1120x910	XPS + fiber reinforced cement pre-sloped tray for STL-BS/BV 600 - 700 - 800 - with riser panel
STL-TRAY132/112R	1120x1320	XPS + fiber reinforced cement pre-sloped tray for STL-BS/BV - with riser panel

SHOWERTEC STL EXTENSION - Waterproof extension (with riser panel - optional)

Code	mm	Description
STL-EXT91/56	560x910	XPS + fiber reinforced cement extension
STL-EXT132/56	560x1320	XPS + fiber reinforced cement extension
STL-EXT91/56R	560x910	XPS + fiber reinforced cement extension- with riser panel
STL-EXT132/56R	560x1320	XPS + fiber reinforced cement extension- with riser panel



shower+tec®
ACCESSORIES



SHOWERTEC ACCESSORIES | FOILTEC

FOILTEC is a waterproof membrane in coupled polyethylene, ideal for waterproofing and protecting the floor from screed fractures and moisture migration.



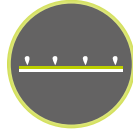
Waterproofs the ceramic covering support



Semi-rigid material for ease of installation



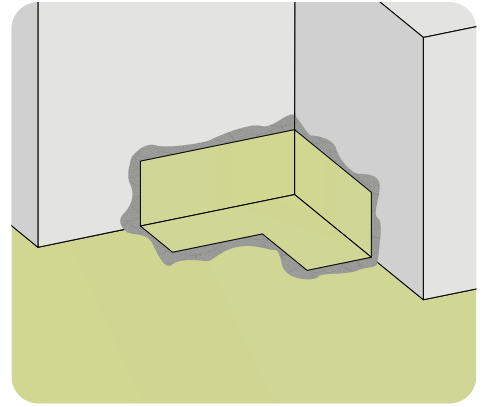
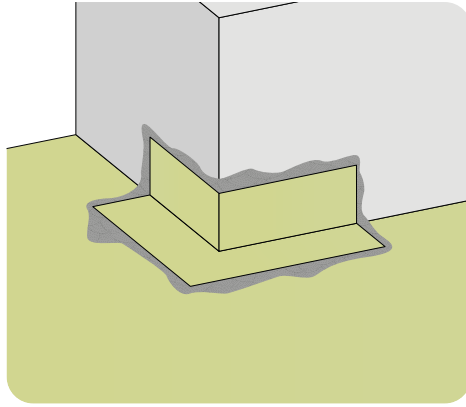
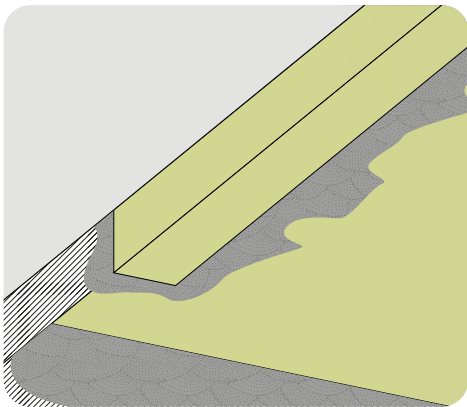
Provides vapor management



0,033 perm rating (ASTM E96-E)



Protects against mould and bacteria



APPLICATION AND FUNCTION

FOILTEC is conceived for environments with high humidity, to be installed simultaneously with the tile, using the appropriate tile adhesive. It is particularly suitable in shower stalls, preventing humidity from spreading to adjacent rooms.

Engineered for durability, it compensates for minor substrate movements, preventing cracks and ensuring a long-lasting, secure installation. The FOILTEC membrane comes with a comprehensive range of accessories, making it adaptable to various installation needs while guaranteeing top-quality waterproofing performance.

MATERIAL

FOILTEC is made of HDPE polyethylene, coupled on two sides with non-woven polypropylene fabric (membrane thickness 0,5 mm).

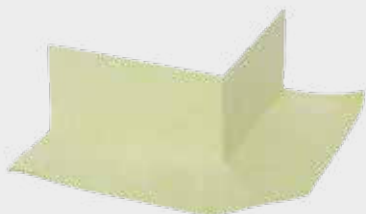
The membrane has high elasticity and compensates for small movements that may occur between the substrate and the tile.

WARNINGS AND MAINTENANCE

Store in cool places not subject to freezing, away from heat sources and direct UV exposure.

FOILTEC accessories

FOILTEC membrane comes with a full range of accessories to meet specific installation requirements, ensuring a high-quality final product.



External corner



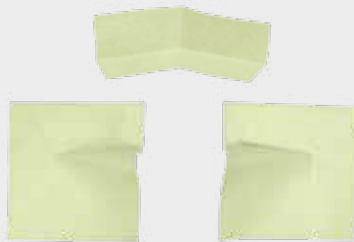
Internal corner



Pipe Seal T20 – Preformed polyethylene for 20 mm pipes



Sealing strip for joints, corners, and perimeter edges



135° angle set



SHOWERTEC ACCESSORIES | STN NICHES

The Showertec STN shower niches are water-resistant and ready to be installed, thanks to the tileable honeycomb coating.

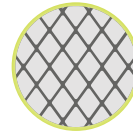
Their surface is waterproof, installation does not require demanding planning, as the different niche sizes can be adapted to all customer requirements. A perfectly waterproofed bathroom can be achieved by using Showertec STN in combination with STBO building boards and FOILTEC waterproofing membrane.



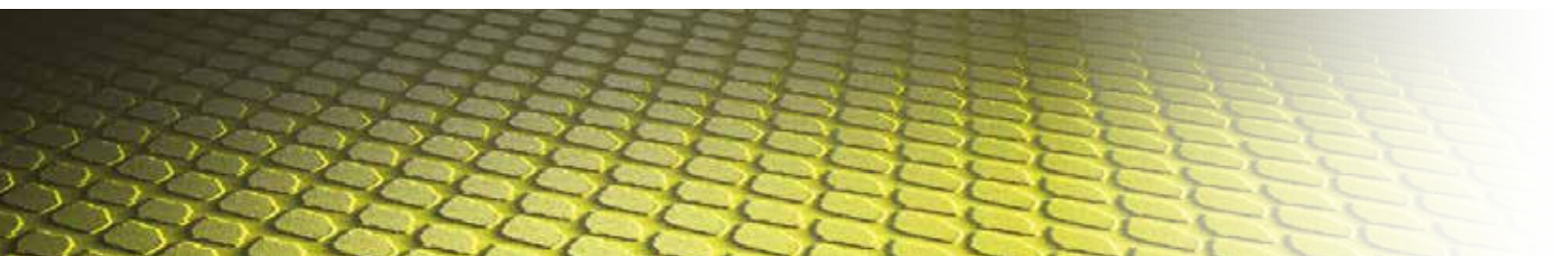
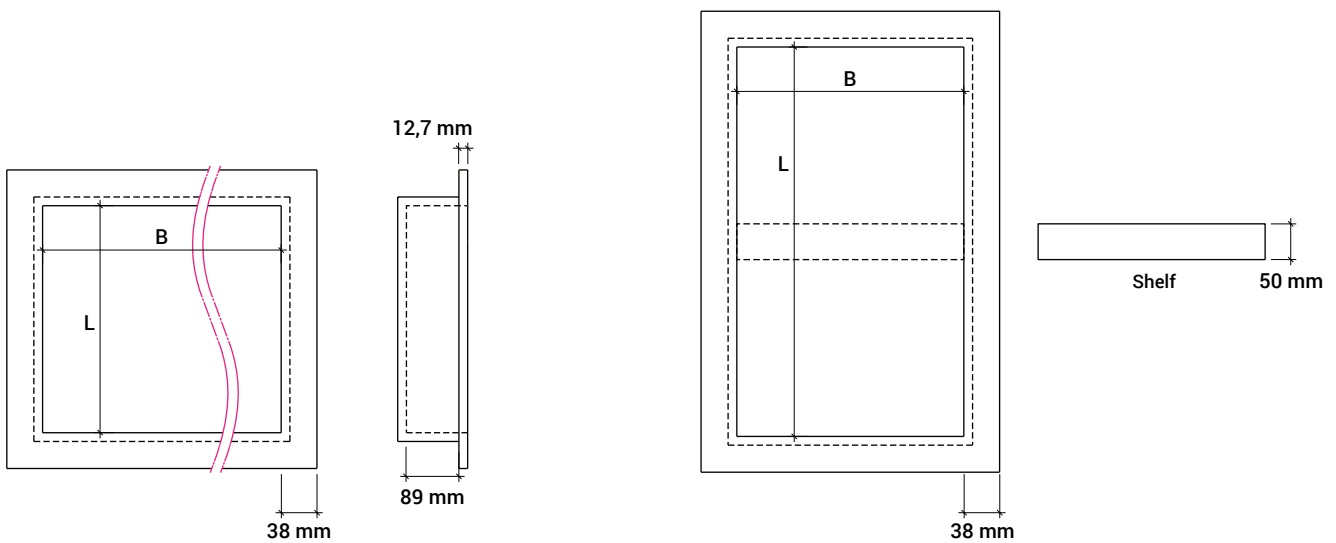
Ready to be installed



Waterproof



Tileable honeycomb coating



APPLICATION AND FUNCTION

Profilitec STN can be used in Residential and Commercial projects.

MATERIAL

STN shower niches are built with a single-cell structure made of XPS, covered with a rigid, waterproof, fiber-reinforced cement.

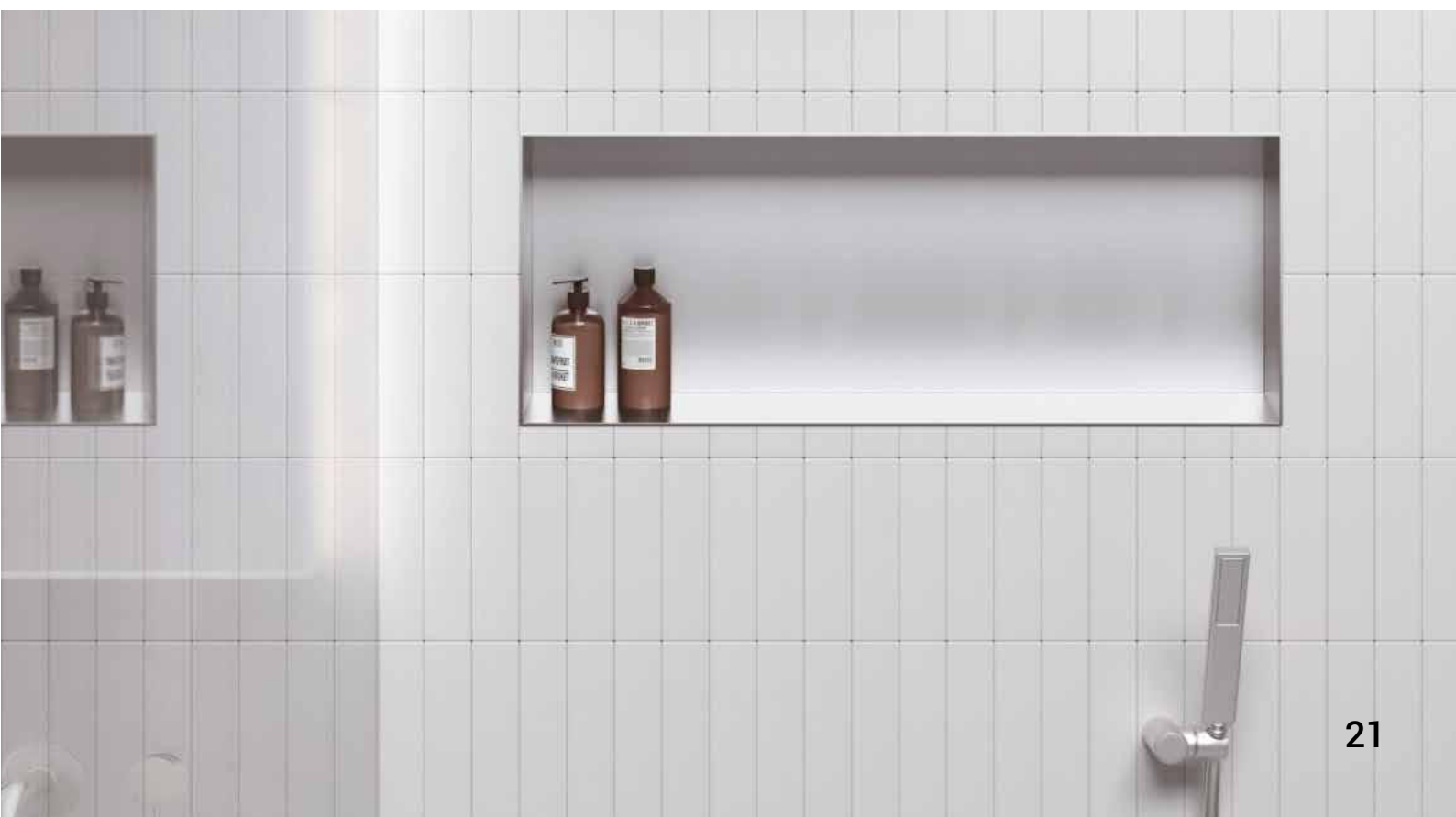
WARNINGS AND MAINTENANCE

Store in cool places not subject to freezing, away from heat sources and direct UV exposure.



SHOWERTEC STN - Waterproof shower niches

Code	B x L mm	Material
STN33X25	3300x2540	XPS + fiber reinforced cement
STN33X33	3300x3300	
STN33X51	3300x5080	
STN33X71W/S	3300x7110	



SHOWERTEC ACCESSORIES | STK PROFILES

Made of stainless steel, Showertec STK profiles are 1350 mm or 2000 mm long. Featuring a tileable support base, they are specifically designed to work in conjunction with waterproofing membranes, ensuring a fully sealed shower system without the need to drill into the floor during installation. Ideal for floor-level showers, they enable a seamless transition between the bathroom floor and the shower area. With no visible components, they offer a clean and elegant design—perfect for contemporary bathrooms.



Safe and waterproof installation



No visible components: clean and elegant design



Ideal for floor-level showers, enabling the correct slope of the shower floor



Stainless steel **STKV**



STKPV



STKF



Aluminum **STKV**



STKP



STKR

APPLICATION AND FUNCTION

Shower profiles should be installed during floor installation to ensure a secure and waterproof installation. A 2% slope is ideal for all types of showers. They are suitable for tile thicknesses ranging from 8 mm to 12,5 mm, and assist the installer in creating the correct slope toward the drain.

Profilitec STK profiles can be used in private homes but also in hotel or wellness facilities.

MATERIAL

STK profiles are made of brushed AISI304 stainless steel.

WARNINGS AND MAINTENANCE

Stainless steel is easy to clean and highly hygienic due to its smooth, non-porous surface, which inhibits bacterial growth. To keep it in good condition, simply wash it with warm water and mild soap, rinse thoroughly, and dry with a soft cloth.

STKR conical profiles

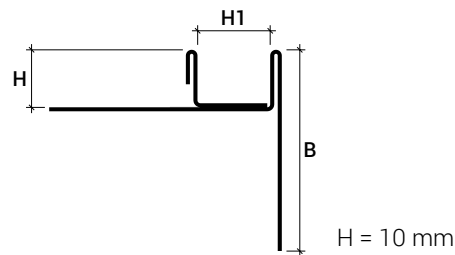
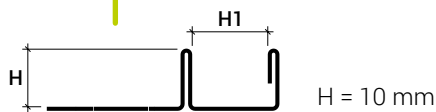
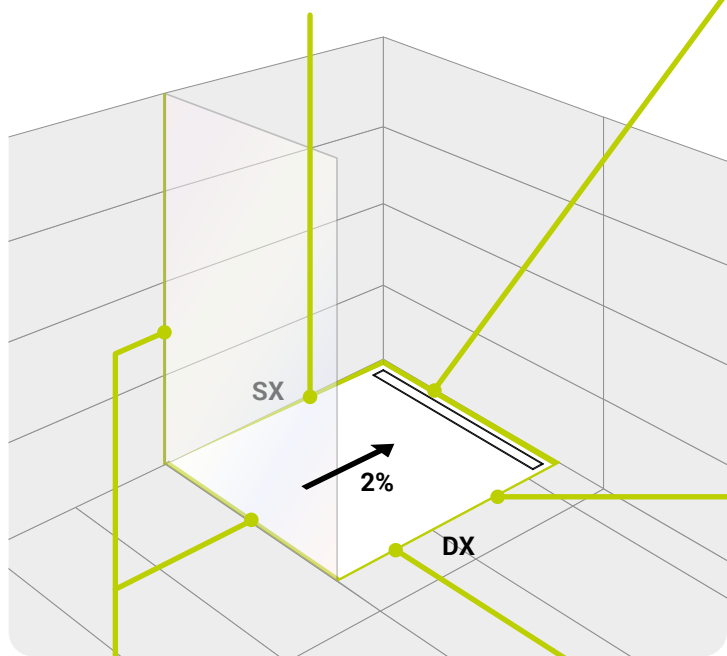
Stainless steel

Code	HxB mm
STKR35/80IS135DX	8 x 35
STKR35/80IS135SX	8 x 35
STKR35/100IS135DX	10 x 35
STKR35/100IS135SX	10 x 35
STKR35/125IS135DX	12,5 x 35
STKR35/125IS135SX	12,5 x 35
STKR48/80IS200DX	8 x 48
STKR48/80IS200SX	8 x 48
STKR48/100IS200DX	10 x 48
STKR48/100IS200SX	10 x 48
STKR48/125IS200DX	12,5 x 48
STKR48/125IS200SX	12,5 x 48

STKF frontal profiles

Stainless steel

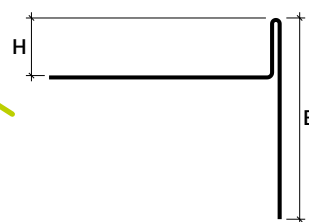
Code	HxB mm
STKF35/80IS135	8 x 35
STKF35/100IS135	10 x 35
STKF35/125IS135	12,5 x 35
STKF48/80IS135	8 x 48
STKF48/100IS135	10 x 48
STKF48/125IS135	12,5 x 48



STKPV conical shower glass holder profiles

Stainless steel

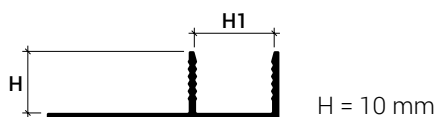
Code	H1xB mm
STKPV35IS135DX	13 x 35
STKPV35IS135SX	13 x 35
STKPV48IS200DX	13 x 48
STKPV48IS200SX	13 x 48



STKV shower glass holder profiles

Stainless steel

Code	H1 mm
STKV100IS200	13
STKV100IS240	13
STKV10/10IS200	10
STKV10/10IS240	10



STKV shower glass holder profile

Anodized aluminum

Code	H1 mm
STKV100AS270	12

STKP conical shower profiles

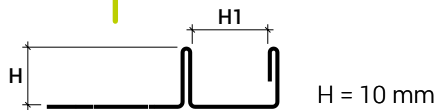
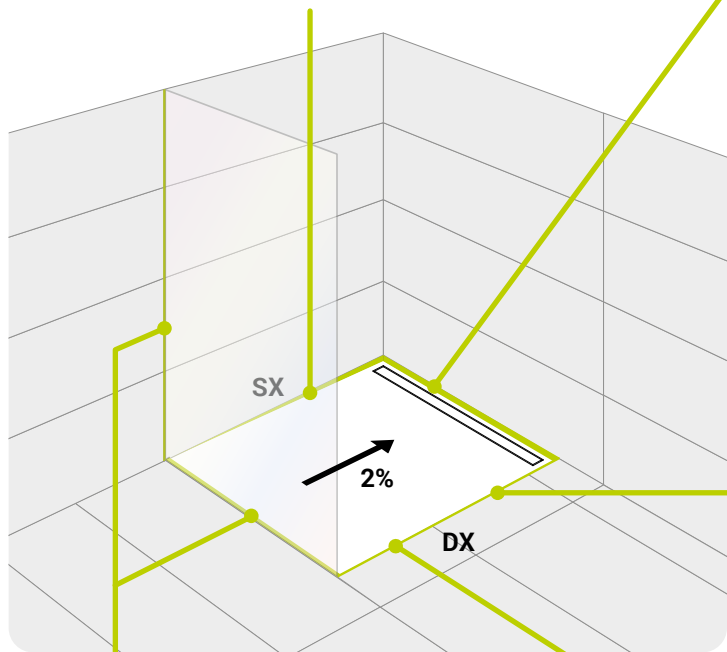
Stainless steel

Code	HxB mm
STKP35/100IS135DX	10 x 35
STKP35/100IS135SX	10 x 35
STKP35/125IS135DX	12,5 x 35
STKP35/125IS135SX	12,5 x 35
STKP48/100IS200DX	10 x 48
STKP48/100IS200SX	10 x 48
STKP48/125IS200DX	12,5 x 48
STKP48/125IS200SX	12,5 x 48

STKR conical profiles

Stainless steel - Black

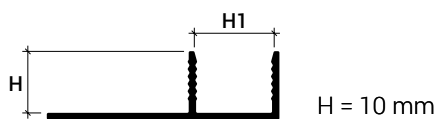
Code	HxB mm
STKR35/80IB135DX	8 x 35
STKR35/80IB135SX	8 x 35
STKR35/100IB135DX	10 x 35
STKR35/100IB135SX	10 x 35
STKR35/125IB135DX	12,5 x 35
STKR35/125IB135SX	12,5 x 35
STKR48/80IB200DX	8 x 48
STKR48/80IB200SX	8 x 48
STKR48/100IB200DX	10 x 48
STKR48/100IB200SX	10 x 48
STKR48/125IB200DX	12,5 x 48
STKR48/125IB200SX	12,5 x 48



STKV shower glass holder profiles

Stainless steel - Black

Code	H1 mm
STKV100IB200	13
STKV100IB240	13
STKV10/10IB200	10
STKV10/10IB240	10



STKV shower glass holder profile

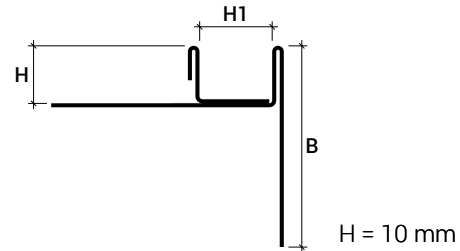
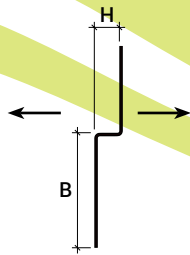
Powder Coated Aluminum - embossed matt Black

Code	H1 mm
STKV100A65270	12

STKF frontal profiles

Stainless steel -Black

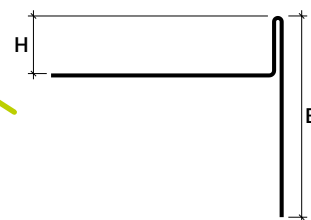
Code	HxB mm
STKF35/80IB135	8 x 35
STKF35/100IB135	10 x 35
STKF35/125IB135	12,5 x 35
STKF48/80IB135	8 x 48
STKF48/100IB135	10 x 48
STKF48/125IB135	12,5 x 48



STKPV conical shower glass holder profiles

Stainless steel - Black

Code	H1xB mm
STKPV35IB135DX	13 x 35
STKPV35IB135SX	13 x 35
STKPV48IB200DX	13 x 48
STKPV48IB200SX	13 x 48



STKP conical shower profiles

Stainless steel - Black

Code	HxB mm
STKP35/100IB135DX	10 x 35
STKP35/100IB135SX	10 x 35
STKP35/125IB135DX	12,5 x 35
STKP35/125IB135SX	12,5 x 35
STKP48/100IB200DX	10 x 48
STKP48/100IB200SX	10 x 48
STKP48/125IB200DX	12,5 x 48
STKP48/125IB200SX	12,5 x 48

The profiles from the SB family eliminate the 90 degree corner between the wall and floor or between two walls, making it easier to remove dirt, mold, and bacteria.

The beveled profiles help create a continuous transition between surfaces, reducing the risk of water infiltration. They provide a finished, neat appearance at the corners, enhancing the overall design of the bathroom.



Reduced risk of water infiltration



Easy cleaning while complying with hygiene and sanitary regulations



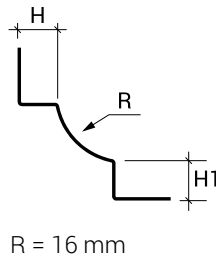
Prevent moisture and residue buildup, making it ideal for showers and bathroom environments

Sanitec SB in stainless steel - sanded

Code	H x H1 mm
SB100IX270	10 x 10

Sanitec SB in stainless steel - polished

Code	H x H1 mm
SB80IL270	8 x 8
SB100IL270	10 x 10
SB125IL270	12.5 x 12,5
SB80/100IL270	8 x 10
SB80/125IL270	8 x 12,5
SB100/125IL270	10 x 12,5



SBEILSET2
External corner



SBILSET2
Internal corner



SBTILSET2
Three ways corner



SBGILSET2
Joint



SBFILSET2
End caps

APPLICATION AND FUNCTION

The SB profiles ensure a secure and waterproof installation. They are suitable for tile thicknesses ranging from 8 mm to 12,5 mm.

Frequently requested in public bathrooms, hotels, or hospitals to comply with sanitation regulations.

MATERIAL

The SB profiles are made of AISI 304 stainless steel, which is resistant to corrosion, humidity, and chemical agents, ensuring long-lasting durability even in very humid environments.

The steel provides strength and protection to corners, even in high-traffic areas or places prone to impact.

WARNINGS AND MAINTENANCE

Stainless steel is easy to clean and highly hygienic due to its smooth, non-porous surface, which inhibits bacterial growth. To keep it in good condition, simply wash it with warm water and soap, rinse thoroughly, and dry it with a soft cloth.

SHOWERTEC ACCESSORIES | FIXXTEC

FIXXTEC is an adhesive suitable for sealing and waterproofing a vast number of materials (in the Profilitec product range it can be used to bond skirting boards, joints, coves, transition profiles, etc.).

This innovative product allows you to seal the junctions of FOILTEC membranes.

It can be used to ensure the secondary waterproofing system of the FOILTEC membrane by bonding it to other elements such as thresholds, balcony and terrace doors, window frames, protective sheets or bordertec perimeter profiles and drainage systems for exteriors and interiors (e.g. bathroom, kitchen).



Can be used at temperatures ranging from -30°C to +90°C



Bonds to damp or wet surfaces



Can be used in outdoor and indoor environments (waterproof and UV-resistant)



Cod.	Description
FIXXTEC	Multipurpose waterproof adhesive sealant 290 ml

APPLICATION AND FUNCTION

FIXXTEC is resistant to UV rays and weathering and can therefore be used both indoors and outdoors. This adhesive is odorless, elastic, solvent-free and guarantees excellent adhesion on most materials such as aluminium, steel, wood, stone, fibre cement, concrete, glass and various plastics (after preliminary testing).

FIXXTEC can be applied both wet and underwater and can be used both as an adhesive and as a sealant-waterproofing agent.

FIXXTEC can be painted with most water- and solvent-based paints.

If particular chemical, mechanical or other stresses are expected, it is necessary to check the suitability of the material.

MATERIAL

Single-component elastic waterproof sealing adhesive based on MS polymers.

WARNINGS AND MAINTENANCE

Store FIXXTEC cartridges in cool, frost-free places, away from heat sources and direct exposure to UV rays. Opened cartridges have a limited shelf life.

The optimum operating temperature for substrate and sealant is between 15°C and 25°C.

Be careful when using alcohol or alkyd resins contained in paints as they can interfere with the hardening process of the sealant and reduce the drying time.

The hardness and thickness of the paint film can compromise the elasticity of the sealant and lead to the cracking of the painted layer.

shower+tec®



www.profilitec.com



Profilitec S.p.A.

Via Scotte, 3
36033 - Isola Vicentina
(Vicenza) ITALIA

profilitec@profilitec.com

+39 0444 268311

Profilitec Corp.

472 Meeting Street, Suite C, #301
29403 - Charleston
(South Carolina) USA

customerservice@profilitec.com

+1 855 290 9591

Profilitec Ibérica S.L.U.

Camí de Betxí, 2
12540 - Vila-Real
(Castellón) ESPAÑA

iberica@profilitec.com

+34 964 18 29 84

Profilitec France SASU

Rue Monseigneur Ancel, 1
69800 - Saint-Priest
(Lyon) FRANCE

france@profilitec.com

+33 4 89 47 98 82

